

# 80/60 Amp Automotive Plug-In / PCB Power Relay

# PC795



### FEATURES

- Most popular automotive relay
- 1 A and 1 C contact forms available
- Contact switching capacity up to 240 Amps
- 80 Amps continuous carrying capacity
- Up to 125 degrees C operating temperature
- Five different case styles available
- Sockets available from Picker Components

### CONTACT RATINGS

Contact Form	1 Form A or 1 Form C	
	Normally Open	Normally Closed
Max Switching Current	Make 240 Amps	Make 180 Amps
	Break 80 Amps	Break 60 Amps
Max. Switching Voltage	Current Dependent; see curve page 2	
Max. Continuous Current	80 Amps	60 Amps
Minimum Load	0.5 A @ 12 VDC	

### CONTACT DATA

Material	AgSnOInO (Silver Tin Oxide Indium Oxide)	
Initial Contact Resistance	100 milliohms max @ 0.1A, 6VDC	
Service Life	Mechanical	1 X 10 <sup>7</sup> Operations
	Electrical	2 X 10 <sup>5</sup> Operations

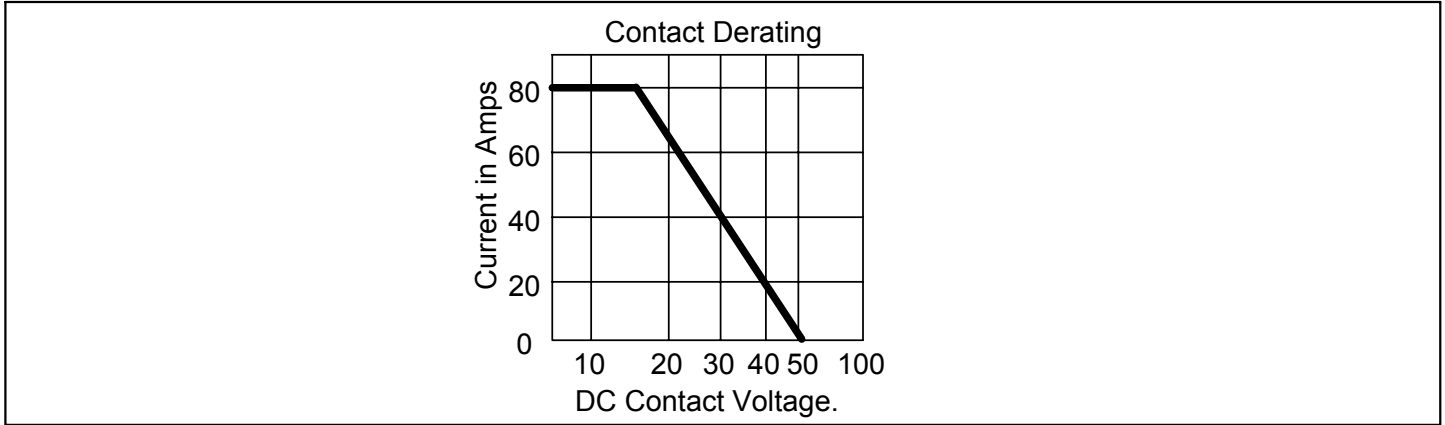
### CHARACTERISTICS

Operate Time	7 ms. typical
Release Time	2 ms. typical
Insulation Resistance	100 megohms min, at 500VDC, 50%RH
Dielectric Strength	500 Vrms, 1 min. between coil and contacts
Shock Resistance	20 g, 11ms, functional; 200 g, destructive
Vibration Resistance	DA 1.27 mm, 10 - 40 Hz; 40-70 Hz: 5 g; DA 0.5mm, 70-100 Hz; 100-500 Hz: 10 g.
Drop Resistance	1 Meter height drop on concrete in final enclosure
Power Consumption	1.6 W approx.
Ambient Temperature Range	-40 to 125 degrees C operating, -40 to 155 storage
Weight	35 grams approx.

### ORDERING INFORMATION

Example:	PC795	-1C	-C1	-12	S	-RN
Model						
Contact Form	1A, 1C or 1U (1 form A with 2 #87 Terminals)					
Case Style	C: Plug-In; P: PCB; C1: Plastic Bracket; C3: Shrouded W/Metal Bkt					
Coil Voltage						
Enclosure	C: Dust Cover, S: Sealed Case					
Parallel Component	Nil: None; D: Diode; R: Resistor; N: Nickel Plated Terminals					

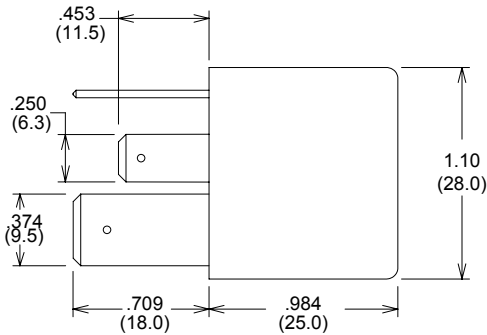
REFERENCE CURVE



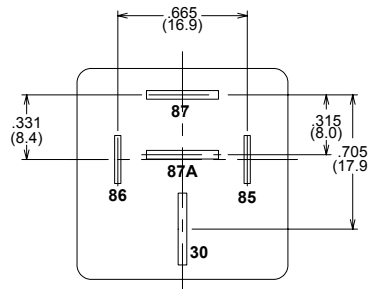
COIL DATA

Coil Voltage	Resistance ohms $\pm 10\%$	Must Operate Voltage Max. (VDC)	Must Release Voltage Min. (VDC)	Continuous Voltage Max. (VDC)
6	22	3.6	0.6	10.1
12	90	7.2	1.2	20.5
24	330	14.3	2.4	39.1

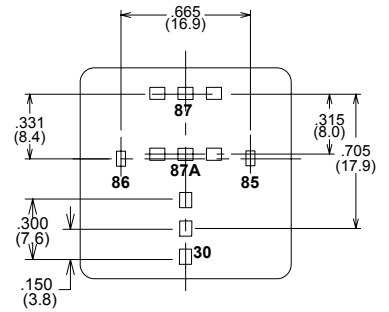
Plug-In Type  
Plug-In Case (C) and PCB Case (P)



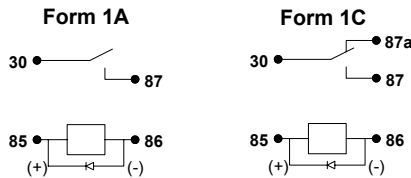
Dimensions in Inches (millimeters)



Bottom View



Holes for Pins 30, 87 & 87a  
are 3 X .087 (2.2) by .063 (1.6)  
Pins 85 & 86 are .079 (2.0) by .047 (1.2)



Wiring Diagrams

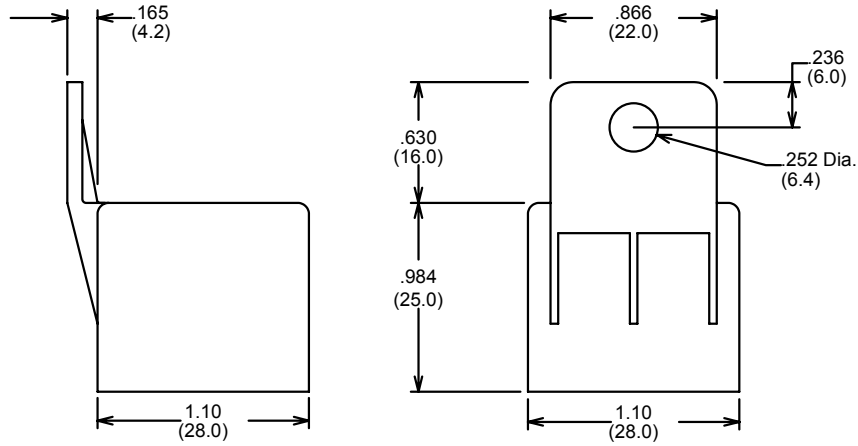
Notes:

Tolerances  $\pm .010$  unless otherwise noted  
Maximum make current refers to inrush of a lamp load  
In 85 degree C ambient reduce maximum coil voltage to 72%

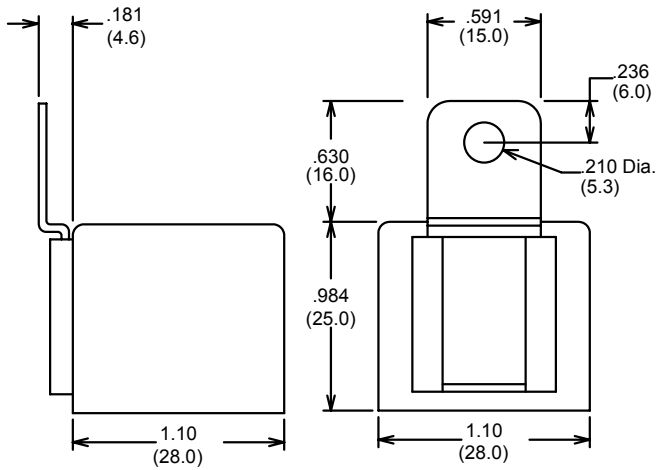


3220 Commander Drive, Suite 102, Carrollton, Texas 75006

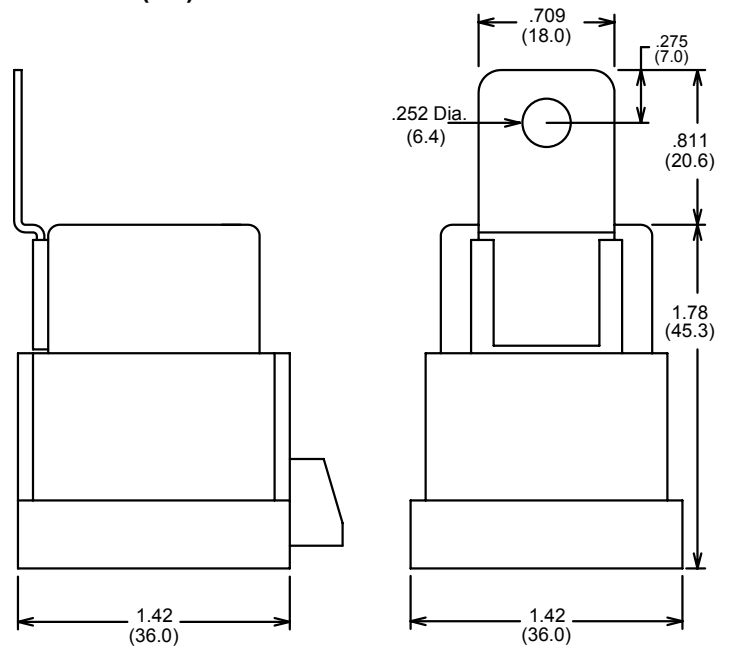
Sales: Call Toll Free (888) 997-3933 Fax (818) 342-5296 email: pickerwest@sbcglobal.net URL: pickercomponents.com



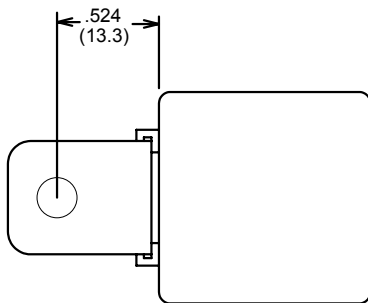
**Molded Plastic Bracket (C1)**



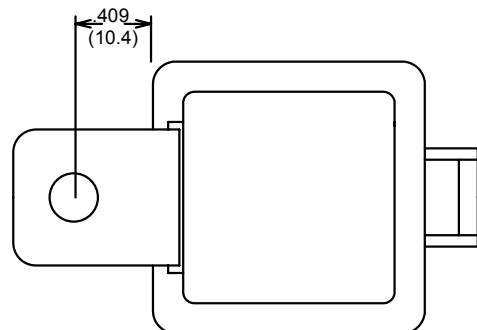
**Metal Bracket (C2)**



**Skirted Case with Metal Bracket (C4)**



**Bent Metal Bracket (C3)**



**Skirted Case with Bent Metal Bracket (C5)**



3220 Commander Drive, Suite 102, Carrollton, Texas 75006

Sales: Call Toll Free (888) 997-3933 Fax (818) 342-5296 email: pickerwest@sbcglobal.net URL: pickercomponents.com